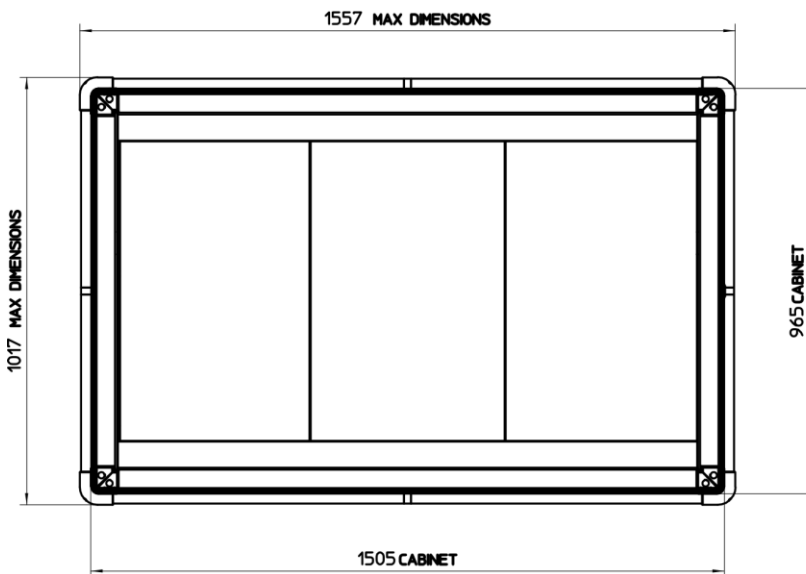
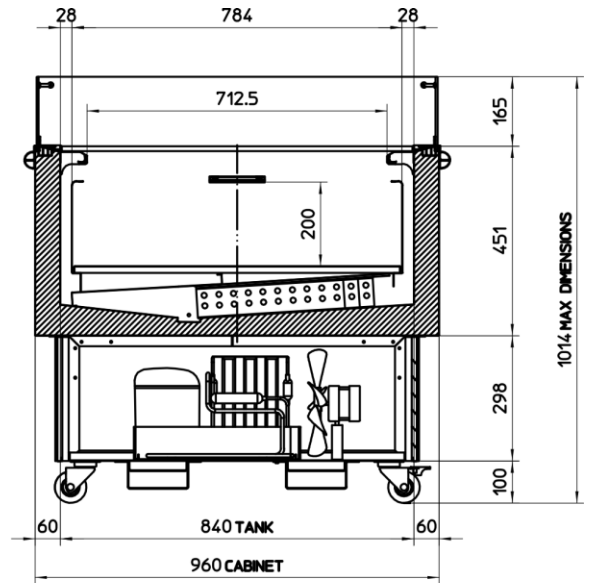
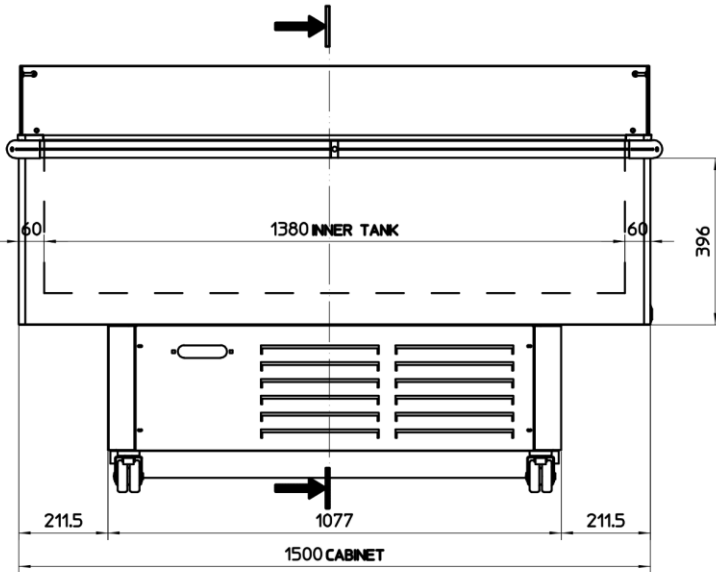


# SKA P 150 R507 (COD. E5090M0000)



Island cabinet - ventilated cooler

Layout



SKA P 150  
S\_46475 - 00